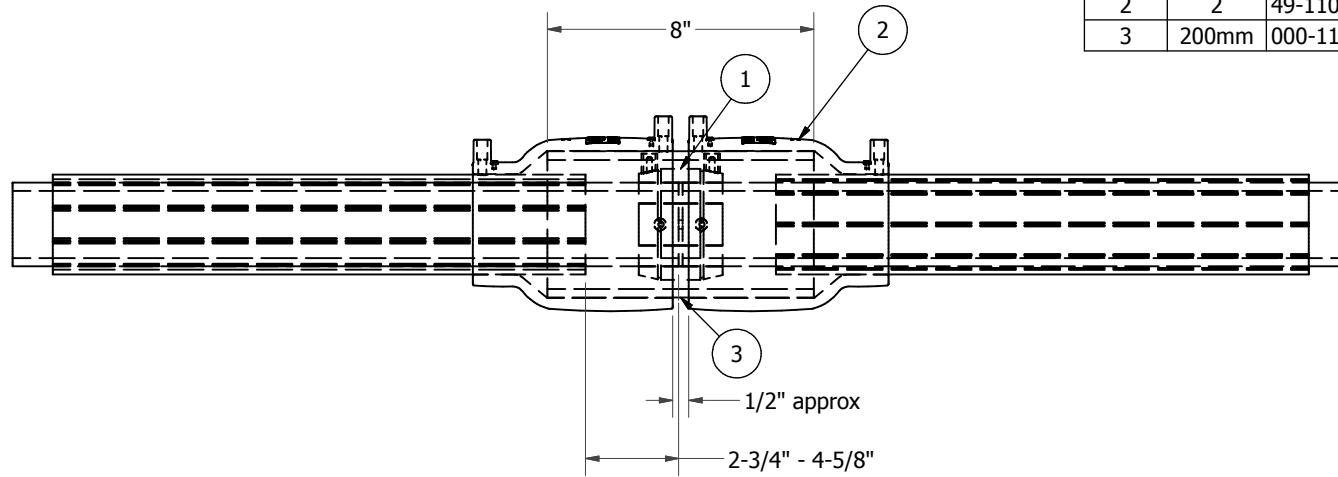
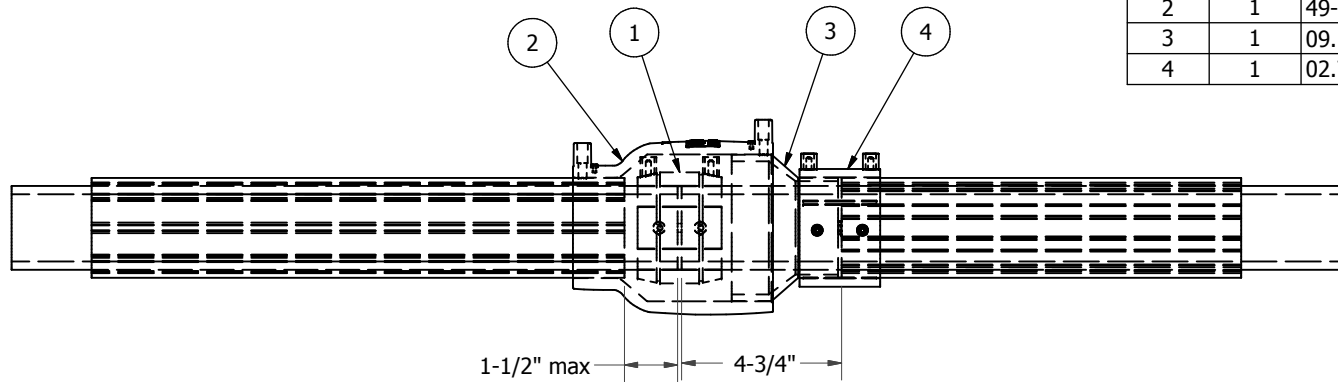


Option 1



Parts List		
ITEM	QTY	PART NUMBER
1	1	02.63
2	2	49-110-075(SC)
3	200mm	000-110-006-SC

Option 2



Parts List		
ITEM	QTY	PART NUMBER
1	1	02.63
2	1	49-110-075(SC)
3	1	09.110.75(SC)
4	1	02.75(SC)



Inline Joint Options  
2" Double Wall