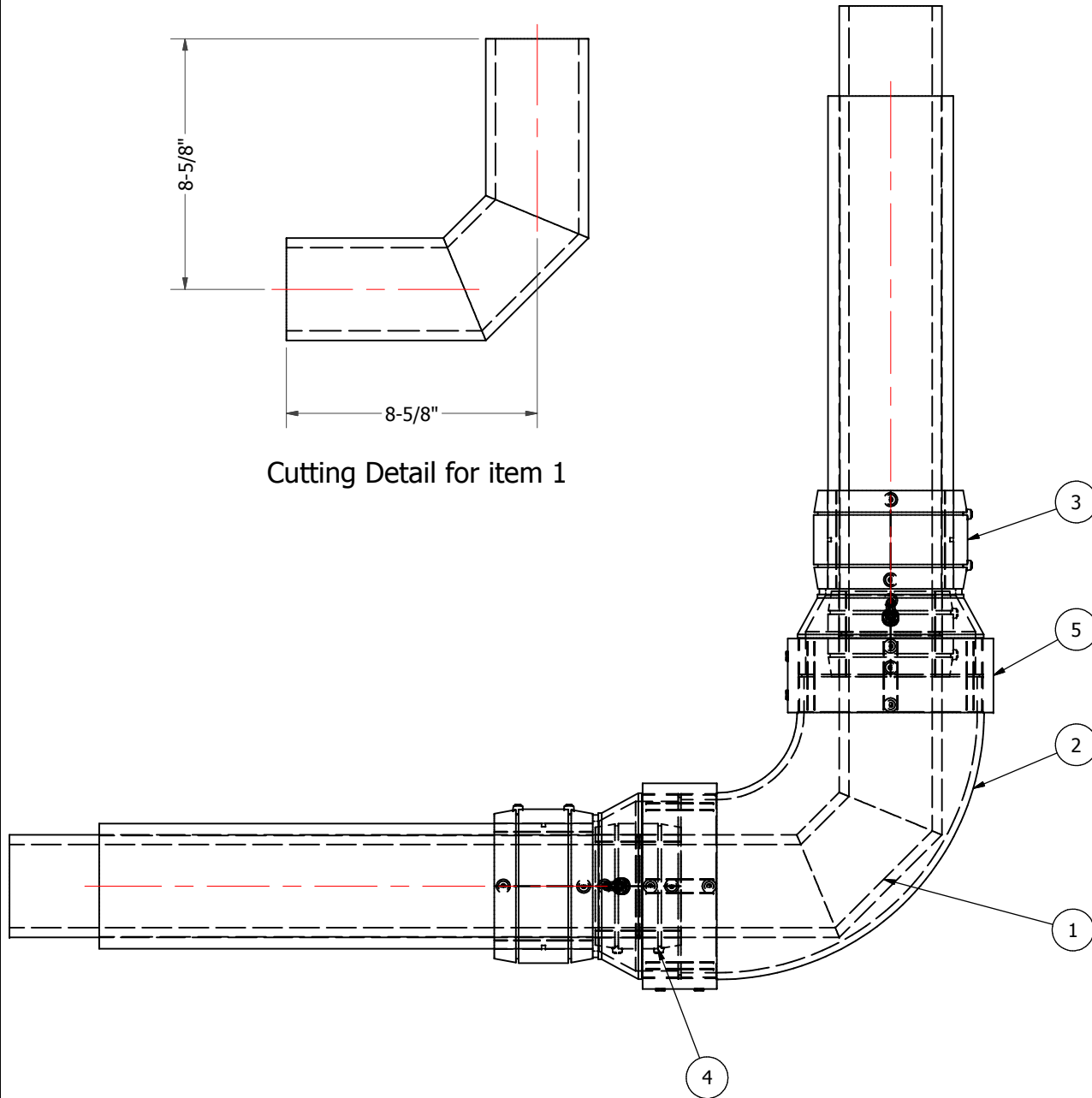


Cutting Detail for item 1



| Parts List | | |
|------------|-----|-------------|
| ITEM | QTY | PART NUMBER |
| 1 | 1 | 03.90LS-2 |
| 2 | 1 | 03.160SC |
| 3 | 2 | 13.160.110 |
| 4 | 2 | 02.90 |
| 5 | 2 | 02.160(SC) |

Notes

stops in item 3 must be cut off

outer pin on item 4 must be cut off after welding



90° Elbow
3" Double Wall