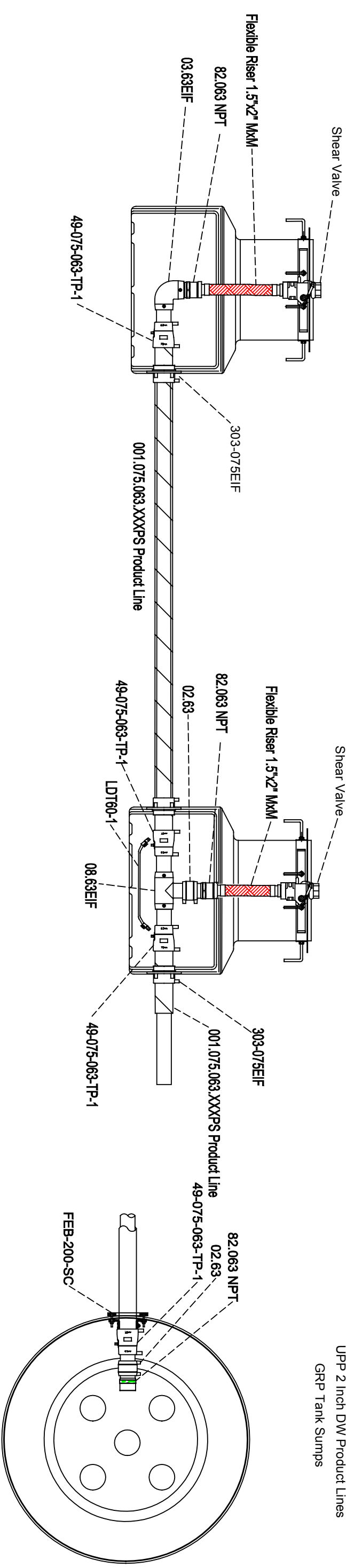


REVISION			
No	Description	App'd	Date
1	Preliminary Issue	CRW	17/01/06
2	Product & Product Code Update	CRW	20/06/06
3	-	-	-

Upp 2 Inch DW Product Lines  
PE Dispenser Sumps



Upp 2 Inch SW Vent Lines

Upp 3 Inch SW Vent Lines

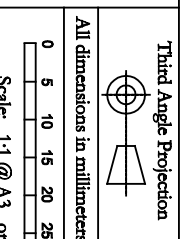
Upp 3 Inch SW Vent Lines

Upp 3 Inch SW Vent Lines



ALL RIGHTS RESERVED. NO PART OF THIS DRAWING MAY BE USED, COPIED, REPRODUCED, DISCLOSED OR TRANSMITTED IN ANY FORM WITHOUT PRIOR WRITTEN PERMISSION OF PETROTECHNIK LTD, PETROTECHNIK HOUSE, OLIVUS CLOSE, WHITEHOUSE INDUSTRIAL ESTATE, IPSWICH, SUFFOLK, ENGLAND, IP1 5LN.  
TEL: +44 (0)1473 243900 FAX: +44 (0)1473 243901.

**Title:**  
Typical Upp Product and Vapor Line at the Dispenser and Pump Sumps for the North American Market.



Drawn:	C R Wise	17/01/06
Checked:	-	-
Sheet No:	1 of 1	-
Tolerance:	±0.2	50mm

Customer:	Shell Canada
Customer Ref.:	N/A
Site Name:	N/A
Tank number:	N/A

DRG No: PTC1439  
Issue: 2

Scale: 1:1 @ A3 or 1:1.414 @ A4

Scale: 1/1