

# Double Sided Entry - FRP

## Basic Kit

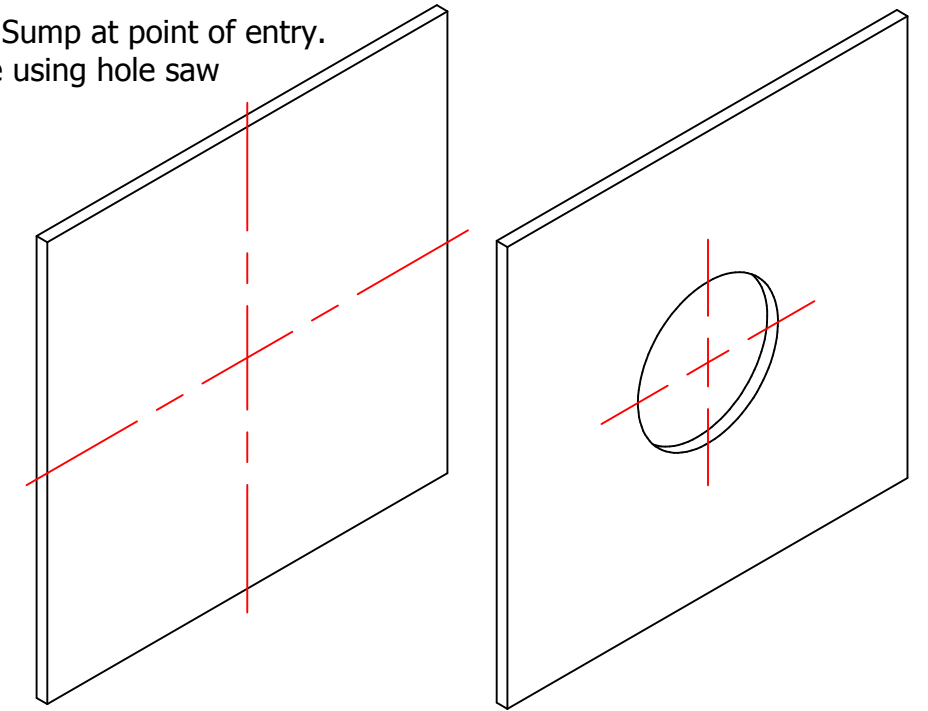
- Nitrile Gloves
- Bondmaster E32 Adhesive and Applicator Gun
- UPOL Bonding Paste
- 80.120 Grit Abrasive paper
- Cleaning Solvent

## Fittings and tools

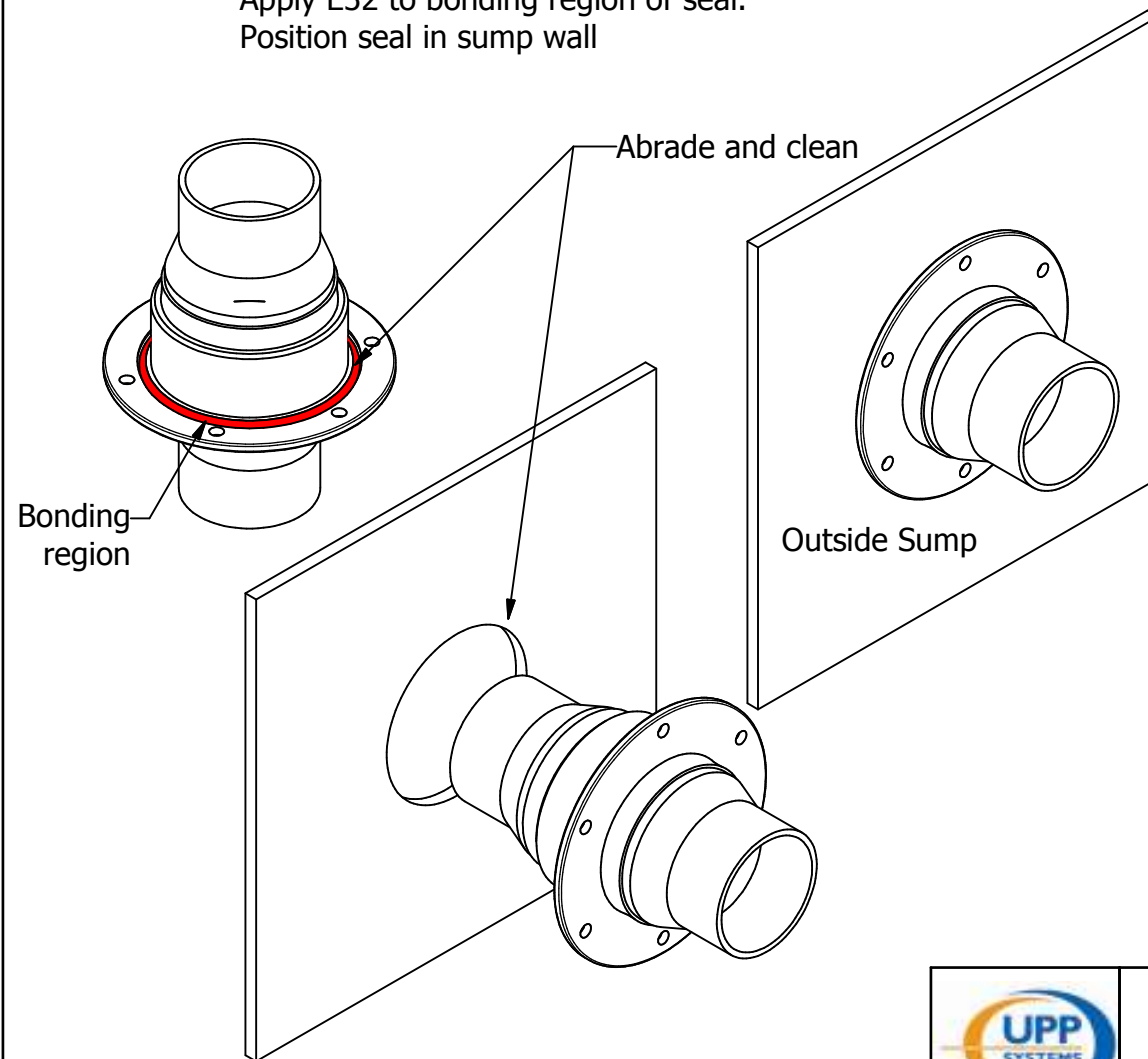
Component	110/90mm Line	75/63mm Line
Entry Seal	FEB-D-110	FEB-D-075
External Cover Cap	FBC-X-110	FBC-X-075
Internal Cover Cap	FBC-N-110	FBC-N-075
Fitting Wrench	FEB-110-TOOL	FEB-075-TOOL
Hole Saw	HS5	HS075



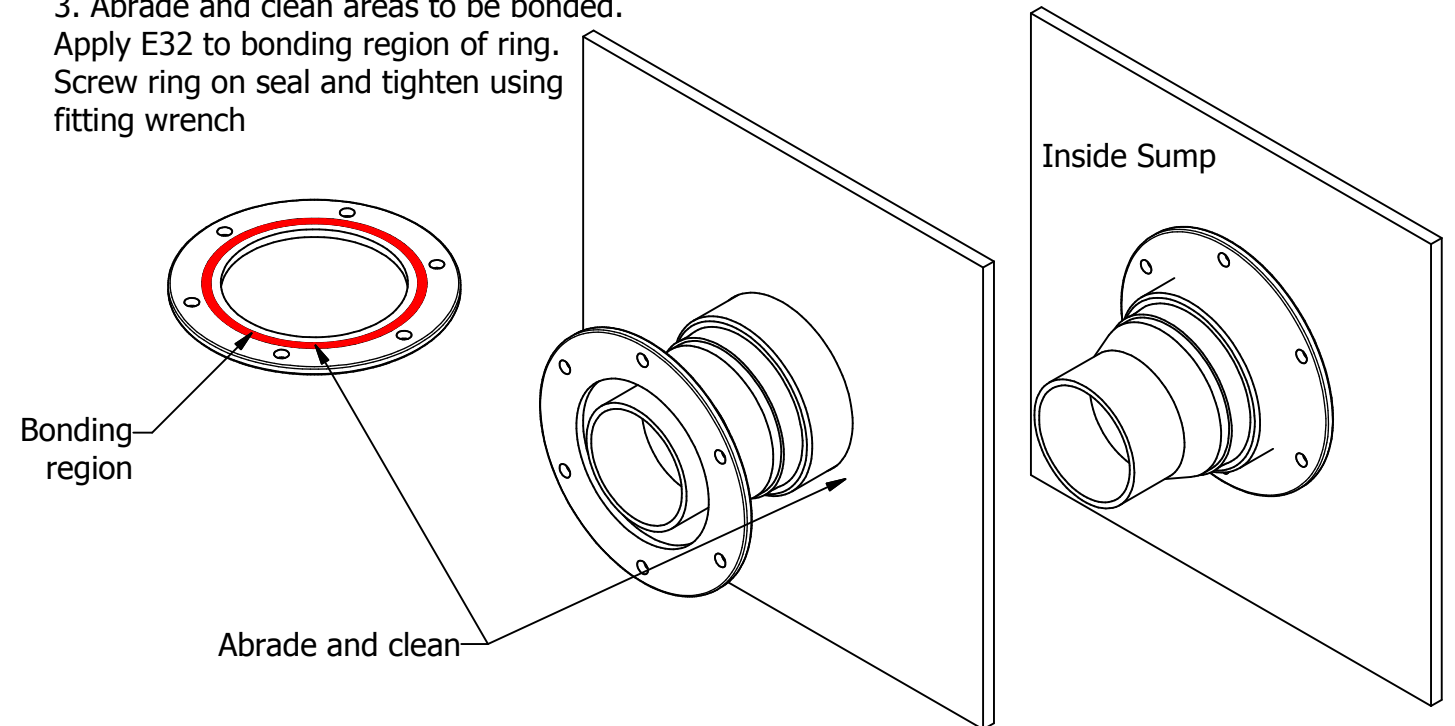
1. Mark Sump at point of entry.  
Cut hole using hole saw



2. Abrade and clean areas to be bonded.  
Apply E32 to bonding region of seal.  
Position seal in sump wall



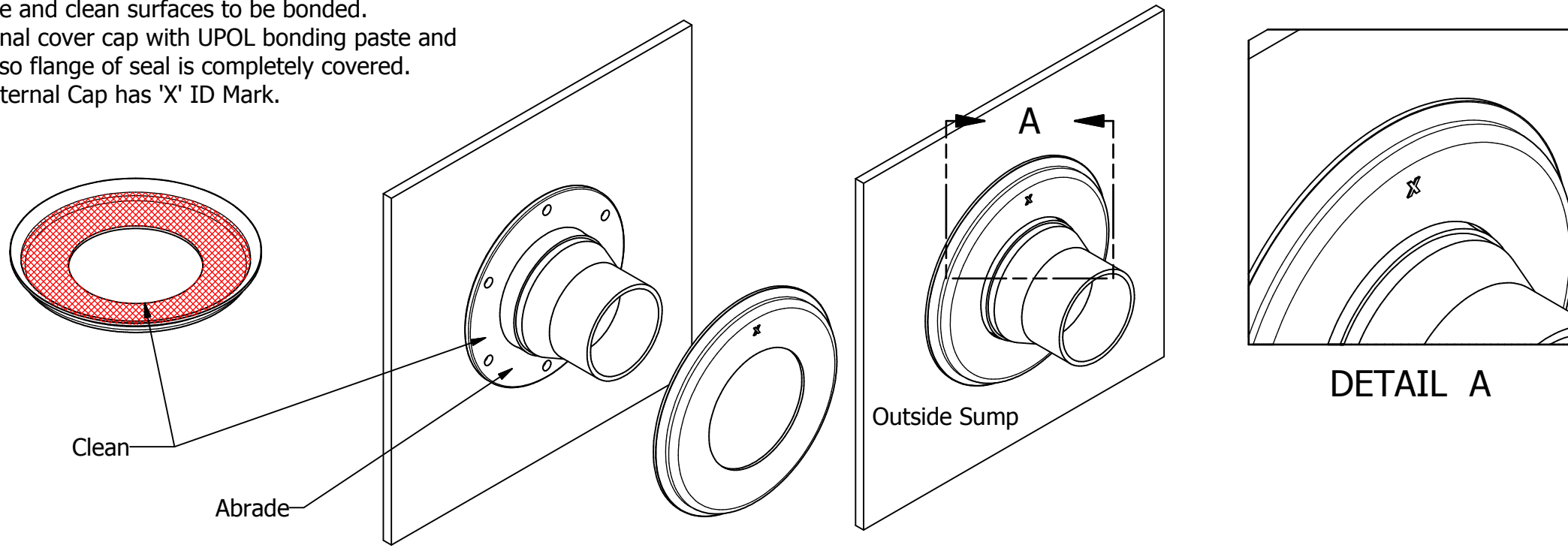
3. Abrade and clean areas to be bonded.  
Apply E32 to bonding region of ring.  
Screw ring on seal and tighten using fitting wrench



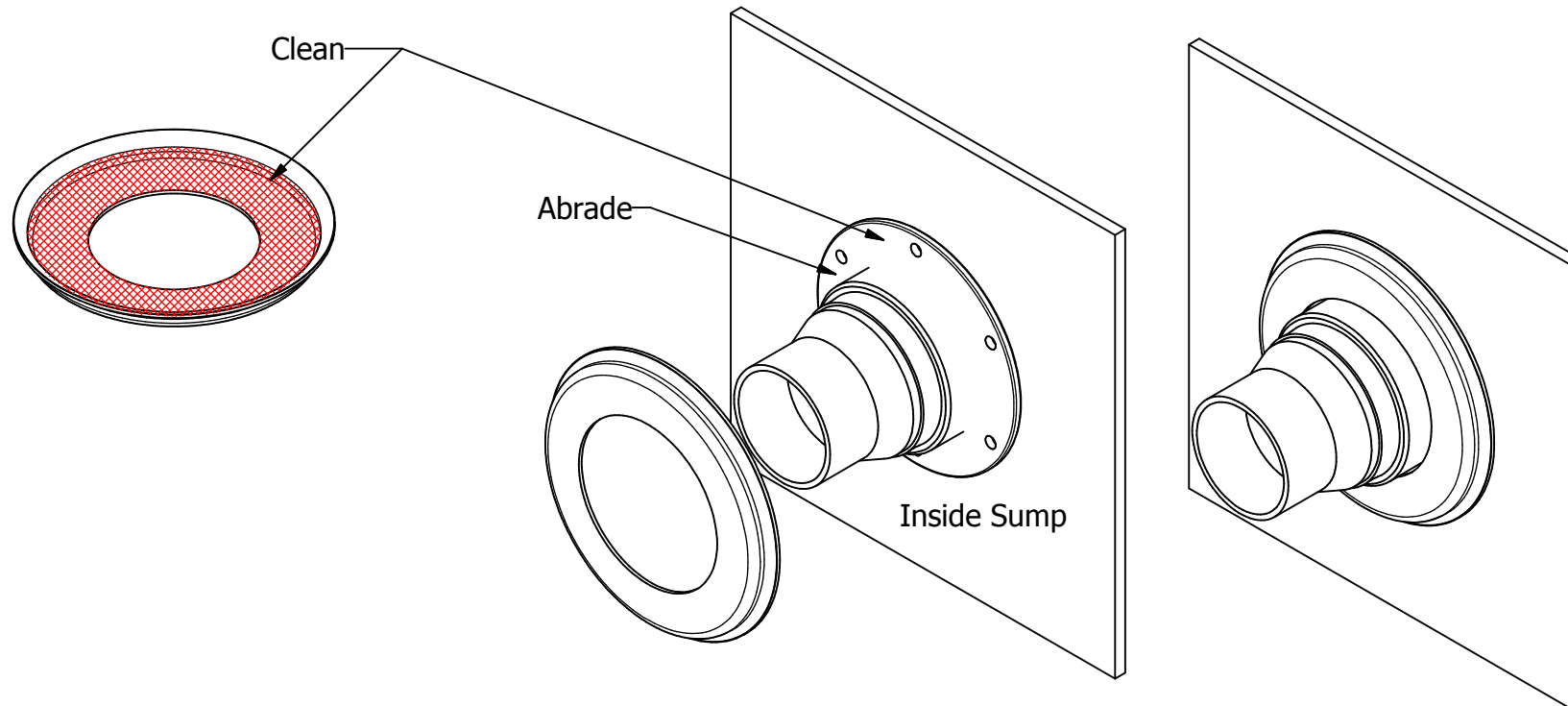
4				
3				
2				
1				
0	Initial Issue	LM		31/07/07
ISSUE	DESCRIPTION	DRN	CKD	DATE

	<b>PetroTechnik Ltd</b> PetroTechnik House, Olympus Close, Whitehouse Industrial Estate, Ipswich, Suffolk, England, IP1 5LN. TEL: +44(0)1473 243300 FAX: +44(0)1473 243301	THIRD ANGLE PROJECTION (all dimensions in millimeters)	MATERIAL UPP System SCALE 1/4 GENERAL LIMITS Linear 0 Decimal Place ± 0.5 1 Decimal Place ± 0.13 2 Decimal Places ± 0.025 3 Decimal Places ± 0.003	<b>TITLE</b> Installation instruction for double sided FRP entry Seals	PART No. (STOCK CODE) FEB-D Installation DRG No. PTL FEB-D Installation.idw	SHEET 1 of 2 <b>A3</b>
	<small>ALL RIGHTS RESERVED. NO PART OF THIS DRAWING MAY BE USED, COPIED, REPRODUCED, DISCLOSED OR TRANSMITTED IN ANY FORM WITHOUT PRIOR WRITTEN PERMISSION OF PETROTECHNIK LTD.</small>					


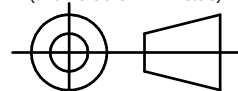
4. Abrade and clean surfaces to be bonded.  
 Fill external cover cap with UPOL bonding paste and position so flange of seal is completely covered.  
 Note: External Cap has 'X' ID Mark.



5. Abrade and clean surfaces to be bonded.  
 Fill internal cover cap with UPOL bonding paste and position so flange of seal is completely covered.



4				
3				
2				
1				
0	Initial Issue	LM		31/07/07
ISSUE	DESCRIPTION	DRN	CKD	DATE

	<b>PetroTechnik Ltd</b> PetroTechnik House, Olympus Close, Whitehouse Industrial Estate, Ipswich, Suffolk, England, IP1 5LN. TEL: +44(0)1473 243300 FAX: +44(0)1473 243301	<b>THIRD ANGLE PROJECTION</b> (all dimensions in millimeters) 	<b>MATERIAL</b> UPP System	<b>SCALE</b> 1/4	<b>GENERAL LIMITS</b> Linear: 0 Decimal Place ± 0.5, 1 Decimal Place ± 0.13, 2 Decimal Places ± 0.025, 3 Decimal Places ± 0.003 Angle: 0° ± 3', 0°' ± 1', 0°00' ± 15'	<b>TITLE</b> Installation instruction for double sided FRP entry Seals	<b>PART No.</b> (STOCK CODE) FEB-D Installation	<b>DRG No.</b> PTL FEB-D Installation.idw	SHEET 2 of 2 <b>A3</b>
	<small>ALL RIGHTS RESERVED. NO PART OF THIS DRAWING MAY BE USED, COPIED, REPRODUCED, DISCLOSED OR TRANSMITTED IN ANY FORM WITHOUT PRIOR WRITTEN PERMISSION OF PETROTECHNIK LTD.</small>								