

Single Sided Entry - FRP

Basic Kit

Nitrile Gloves

Bondmaster E32 Adhesive and Applicator Gun

UPOL Bonding Paste

80/120 Grit Abrasive paper

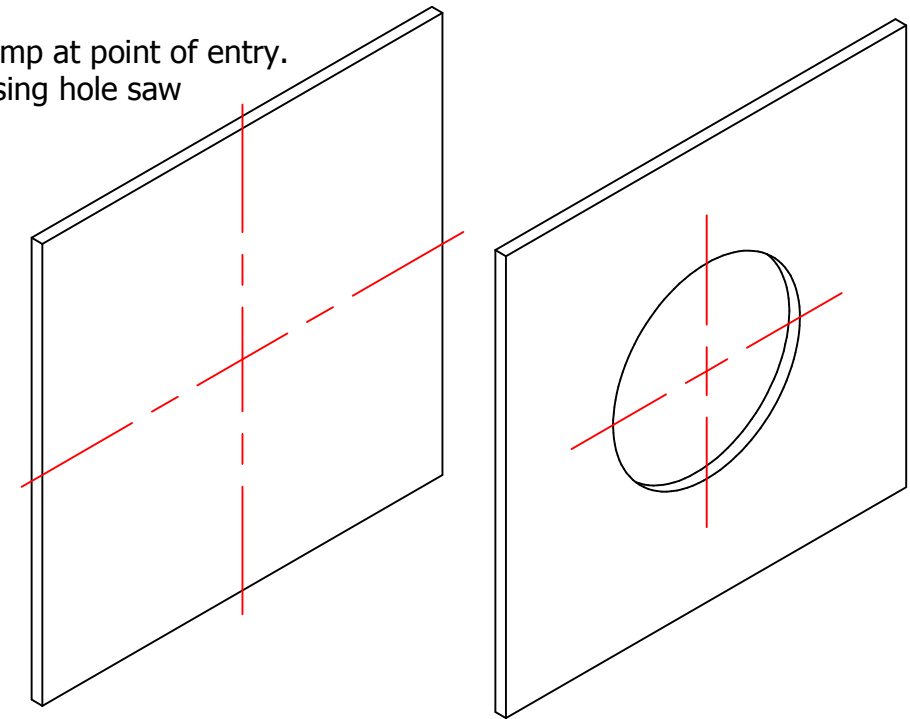
Cleaning Solvent

Fittings and tools

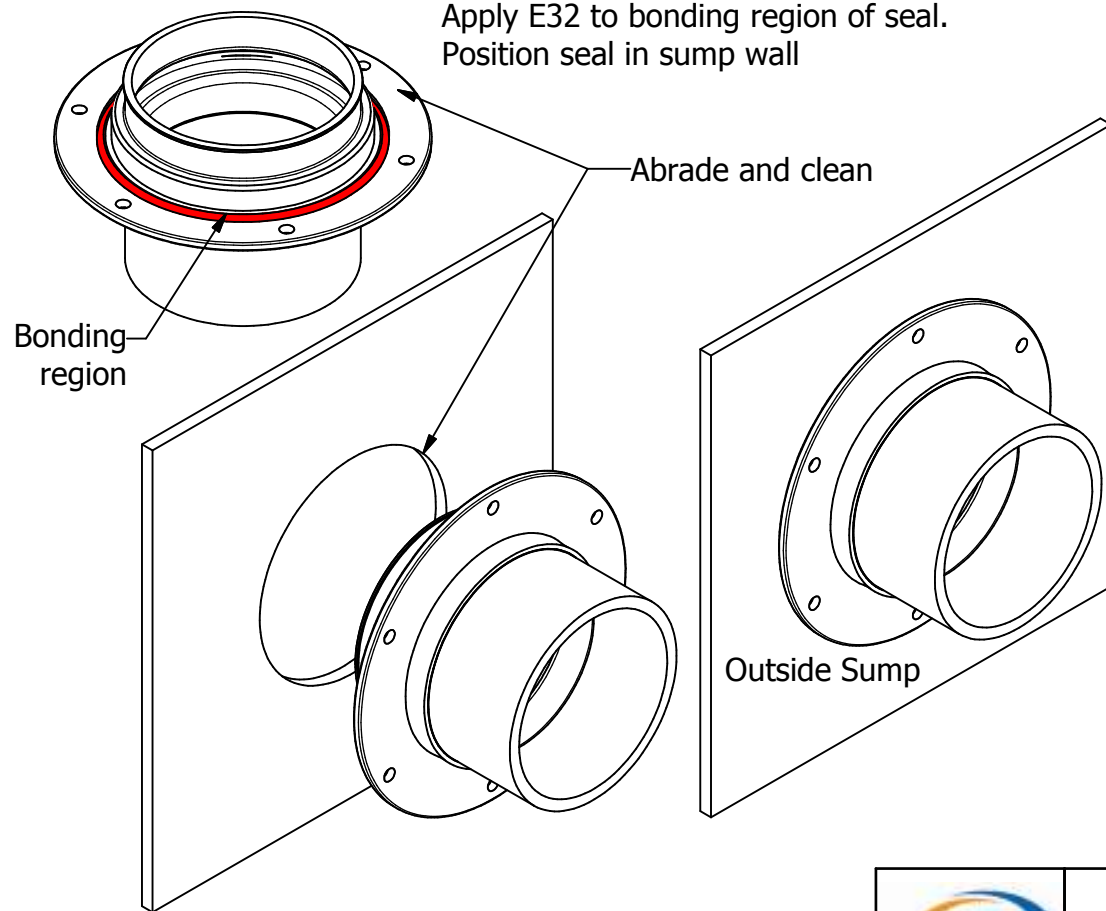
Component	110mm Line	90mm Line	75/63mm Duct Line
Entry Seal	FEB-S-125	FEB-S-125	FEB-S-125
External Cover Cap	FBC-X-110	FBC-X-110	FBC-X-110
Internal Cover Cap	FBC-N-110	FBC-N-110	FBC-N-110
Rubber Boot	305-110-SB	305-090-SB	305-SB
Fitting Wrench	FEB-110-TOOL	FEB-110-TOOL	FEB-110-TOOL
Hole saw	HS5	HS5	HS5



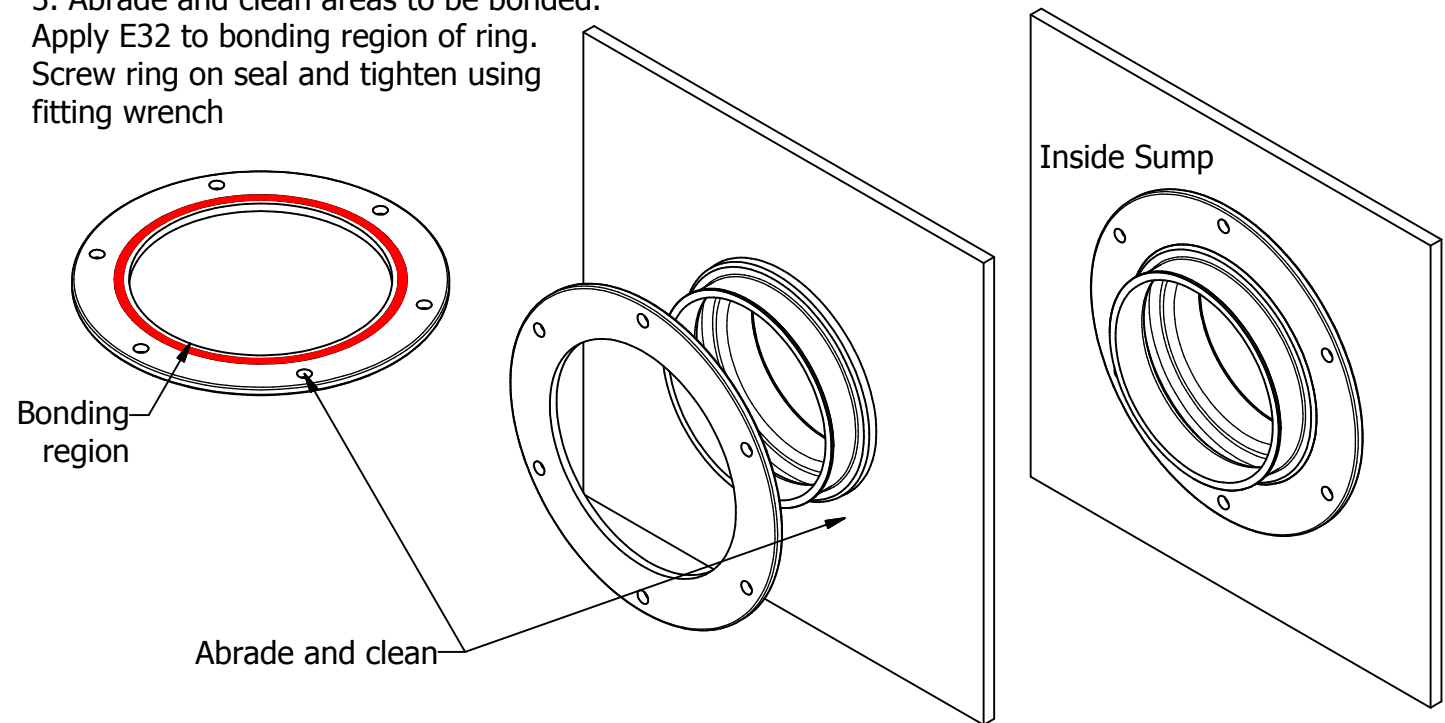
1. Mark Sump at point of entry.
Cut hole using hole saw



2. Abrade and clean areas to be bonded.
Apply E32 to bonding region of seal.
Position seal in sump wall



3. Abrade and clean areas to be bonded.
Apply E32 to bonding region of ring.
Screw ring on seal and tighten using fitting wrench



4				
3				
2				
1				
0	Initial Issue	LM	PR	31/07/07
ISSUE	DESCRIPTION	DRN	CKD	DATE



PetroTechnik Ltd
PetroTechnik House, Olympus Close,
Whitehouse Industrial Estate,
Ipswich, Suffolk, England, IP1 5LN.
TEL: +44(0)1473 243300 FAX: +44(0)1473 243301

THIRD ANGLE PROJECTION
(all dimensions in millimeters)

MATERIAL UPP System
SCALE 1/4

GENERAL LIMITS
Linear 0 Decimal Place ± 0.5
1 Decimal Place ± 0.13
2 Decimal Places ± 0.025
3 Decimal Places ± 0.003

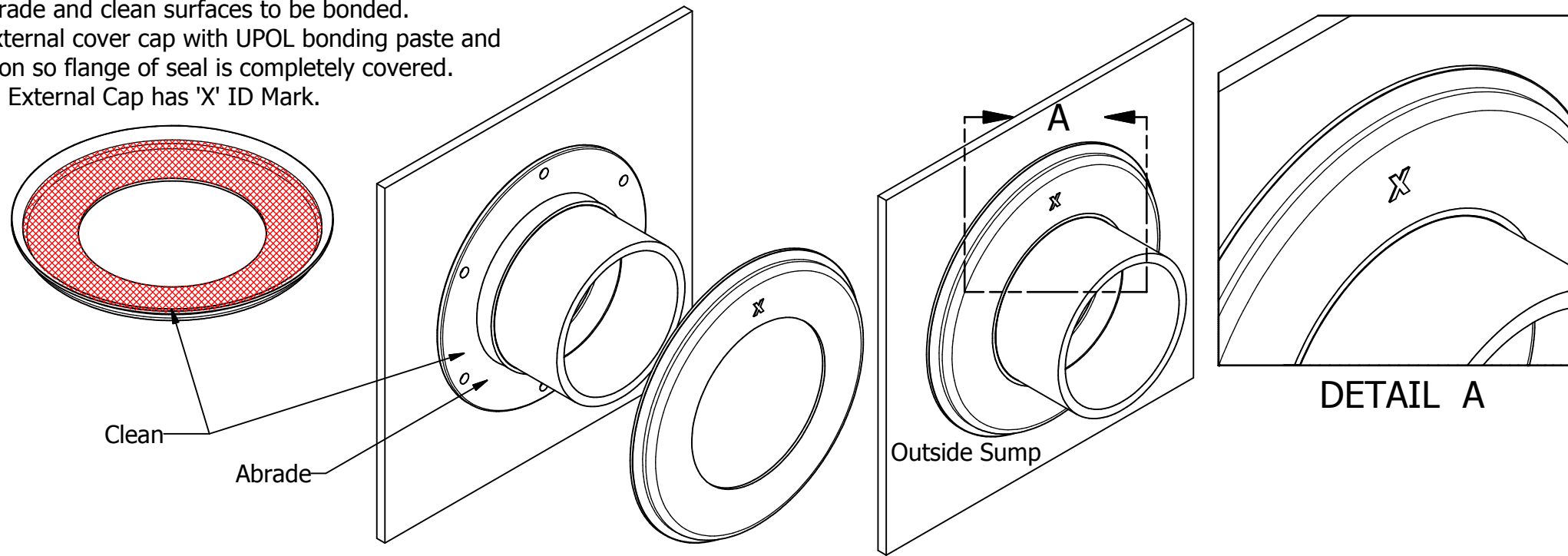
TITLE
Installation instruction for
single sided FRP entry seals

PART No. (STOCK CODE) FEB-S Installation
DRG No. PTC FEB-S Installation.idw

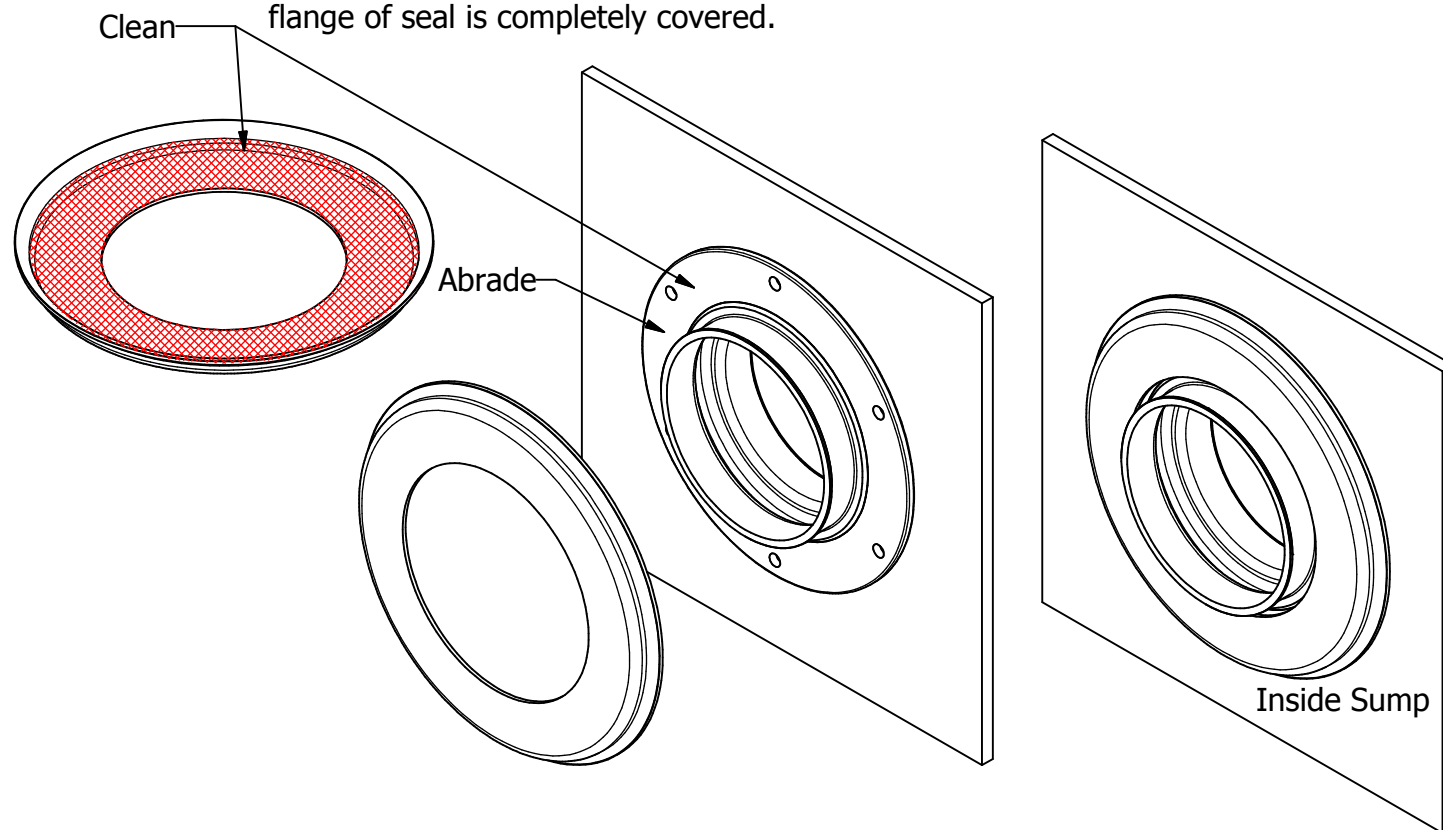
SHEET 1 of 2
A3

ALL RIGHTS RESERVED. NO PART OF THIS DRAWING MAY BE USED, COPIED, REPRODUCED, DISCLOSED OR TRANSMITTED IN ANY FORM WITHOUT PRIOR WRITTEN PERMISSION OF PETROTECHNIK LTD.

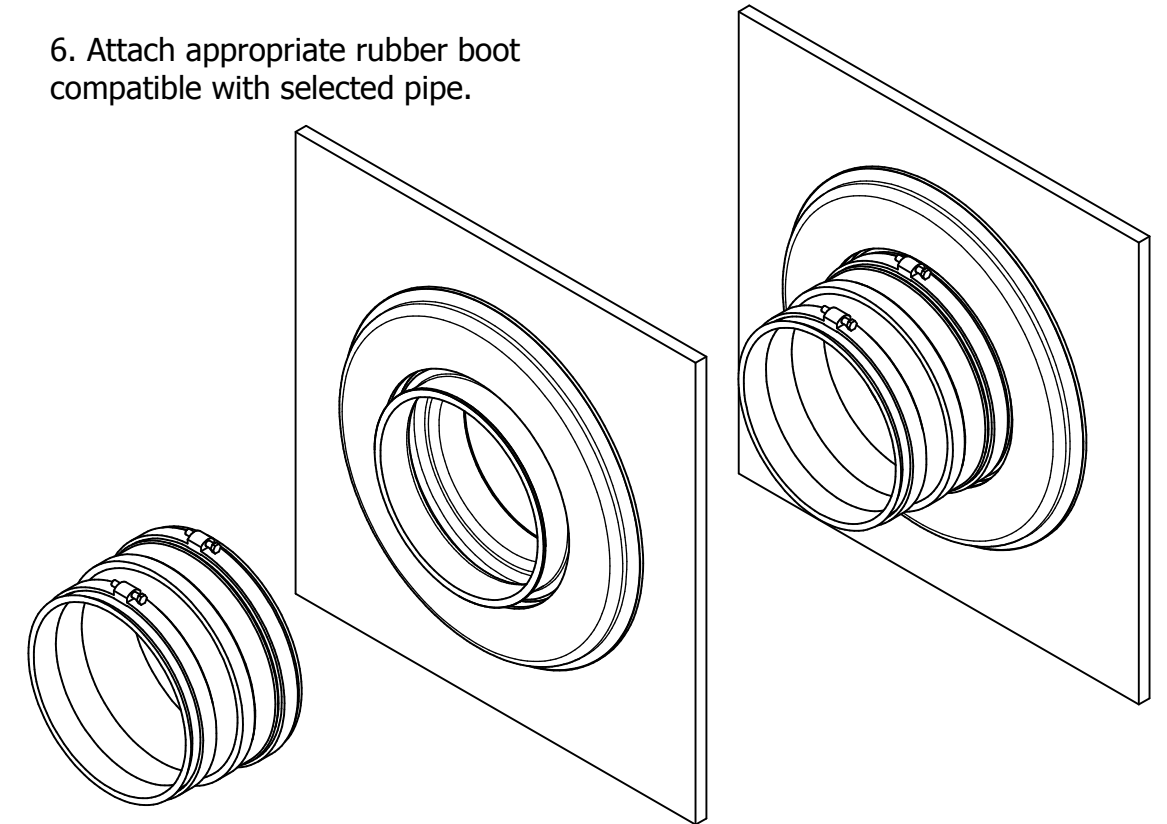
4. Abrade and clean surfaces to be bonded.
 Fill external cover cap with UPOL bonding paste and position so flange of seal is completely covered.
 Note: External Cap has 'X' ID Mark.



5. Abrade and clean surfaces to be bonded.
 Fill internal cover cap with UPOL bonding paste and position so flange of seal is completely covered.



6. Attach appropriate rubber boot compatible with selected pipe.



4				
3				
2				
1				
0	Initial Issue	LM	PR	31/07/07
ISSUE	DESCRIPTION	DRN	CKD	DATE



PetroTechnik Ltd
 PetroTechnik House, Olympus Close,
 Whitehouse Industrial Estate,
 Ipswich, Suffolk, England, IP1 5LN.
 TEL: +44(0)1473 243300 FAX: +44(0)1473 243301

THIRD ANGLE PROJECTION
 (all dimensions in millimeters)

MATERIAL UPP System
 SCALE 1/4

GENERAL LIMITS
 Linear 0' ± 0.5
 1' ± 0.13
 2' ± 0.025
 3' ± 0.003

TITLE
 Installation instruction for
 single sided FRP entry seals

PART No.
 (STOCK CODE)
 DRG No.

FEB-S Installation
 PTC FEB-S
 Installation.idw

SHEET
 2 of 2
A3