

## 80 Series Stainless Steel Termination Fittings

- For terminating UPP pipework at tanks, dispensers and spill containers
- Male and female threads
- Variety of thread sizes available
- Variety of pipe diameter sizes available
- Terminations fusion weld to UPP pipework

# 80 Series Stainless Steel Termination fittings

New range of Stainless Steel Termination fittings

Stainless (grade 1.4305)

Compatible with AdBlue and Aviation fuel

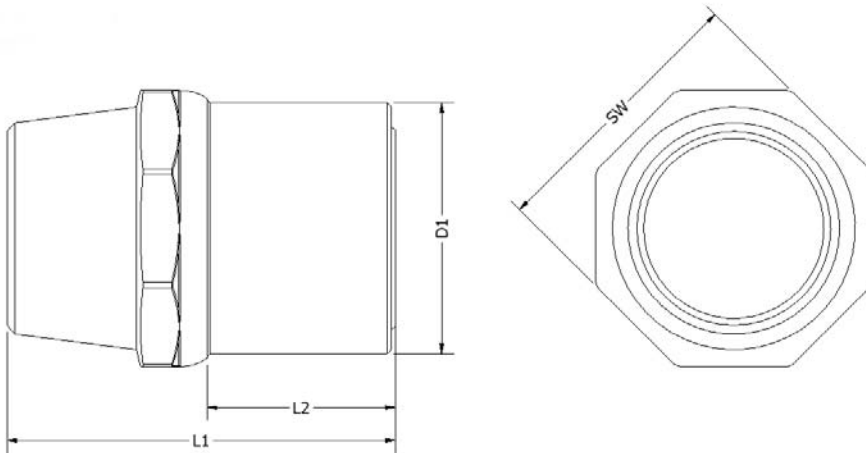
## Male Fusion Fittings

Product Code	Pipe Ø	Thread Size
81.032 SS BSPT	32mm	1" BSPT
81.050 SS BSPT	50mm	1½" BSPT
81.063 SS BSPT	63mm	2" BSPT

## Female Fusion Fittings

Product Code	Pipe Ø	Thread Size
82.032 SS BSPT	32mm	1" BSPT
82.050 SS BSPT	50mm	1½" BSPT
82.063 SS BSPT	63mm	2" BSPT

Male Terminations					
Product Code	Size	SW	DI	LI	L2
81.032 SS BSPT	32 x 1"	40	32	80	34
81.050 SS BSPT	50 x 1½"	60	50	90	42
81.063 SS BSPT	63 x 2"	70	63	98	46



Female Terminations					
Product Code	Size	SW	DI	LI	L2
82.032 SS BSPT	32 x 1"	40	32	80	34
82.050 SS BSPT	50 x 1½"	60	50	90	42
82.063 SS BSPT	63 x 2"	70	63	98	46

